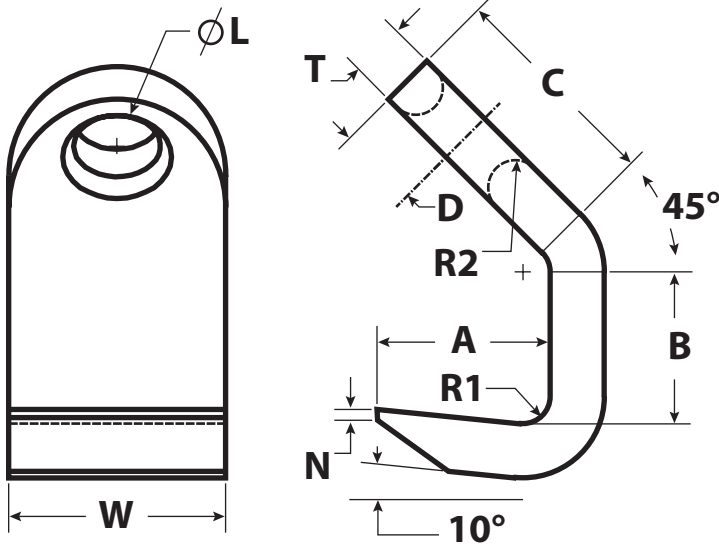


CUSTOM ORDER FORM

Custom Plate Hooks



Specifications



A _____

B _____

C _____

D _____

L _____

N _____

T _____

W _____

R1 _____

R2 _____

Quantity _____

Minimum order quantities will apply

Have you ever purchased this product from us before? Yes No

Working Load Requirement

Enter the working load in pounds

If you answered "No" to the previous question, what is your current source for this product?

Comments

Contact Details

Contact Name: First _____ Last _____

Company: _____

Address: _____

Address line 2: _____

City: _____ State / Province / Region _____

Postal: Zip Code _____ Country _____

Phone Number: _____ Fax Number: _____